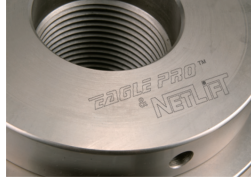
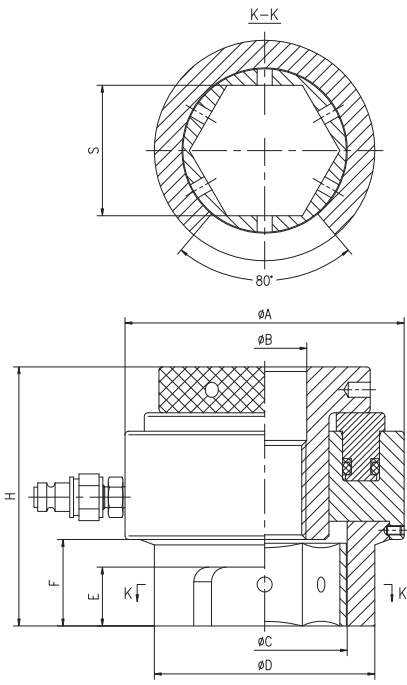


EB SERİSİ / EB SERIES

HİDROLİK GİRDİRME HYDRAULIC TENSIONER



EB 206



EB 207

Özellikler

- Farklı civatalar için çıkarılabilir çekme.
- Ekonomik, hafif ve hassas.
- El pompası ve hava hidrolik pompa ile kullanılabilir.
- Max basınç :20.000 psi.
- Müşteri talebi doğrultusunda özel gerdirmeler.

Features

- Removable puller for different sized bolts.
- Economic, light weight, accurate.
- Can be used with hand pumps or air hydraulic pumps.
- Max pressure: 20.000 psi.
- Custom built to each customers specific requirements.

Kod no / Code No	Model	Civata Aralığı Bolt Range		Yük Load	Boyutlar / Dimensions						Strok Stroke	
		Metric/Metrik	Imperial/ Imperial		KN	A	B	C	D	E		F
						mm	mm	mm	mm	mm		mm
91129001	EB201	M20	3/4	155	71	91.5	50	62	20	20	10	
		M22	3/4	155	71	91.5	50	62	22	22	10	
91129002	EB202	M24	1	486	109	117	60	75	24	24	10	
		M27	1-1/8	486	109	117	60	75	27	27	10	
		M30	1-1/8	486	109	120	61	80	30	30	10	
		M33	1-1/4	486	109	123	74	88	33	33	10	
		M36	1-3/8	486	109	126	77	96	36	36	10	
		M39	1-1/2	814	132	133	84	96	39	39	10	
91129003	EB203	M42	1-5/8	814	132	136	85	108	42	42	10	
		M45	1-3/4	989	150	141	102	114	45	45	10	
91129004	EB204	M48	1-7/8	989	150	144	102	118	48	48	10	
91129005	EB205	M52	2	1413	174	152	104	132	52	52	10	
		M56	2-1/4	1413	174	158	106	138	56	56	10	
91129006	EB206	M56	2-1/4	1649	198	158	106	138	56	56	10	
		M60	2-3/8	1649	198	158	106	138	60	60	10	
		M64	2-1/2	1649	198	164	127	153	64	64	10	
		M68	2-3/4	1649	198	170	134	164	68	68	10	
91129007	EB207	M72	2-1/2	2131	222	170	160	157	72	72	10	
		M76	2-3/4	2131	222	177	170	180	76	76	10	
91129008	EB208	M76	2-3/4	2544	252	180	160	180	76	76	10	
		M80	3-1/4	2544	252	180	160	180	80	80	10	
		M85	3-3/8	2544	252	186	170	210	85	85	12	
		M90	3-1/2	2544	252	192	205	225	90	90	12	
91129009	EB209	M95	3-3/4	3101	282	199	190	215	95	95	12	
		M100	4	3101	282	216	206	230	100	100	12	
91129010	EB210	M105	4-1/8	3796	318	216	224	260	105	105	12	
		M110	4-3/8	3796	318	216	224	260	110	110	12	
		M115	4-1/2	3796	318	216	224	260	115	115	12	